

Basic host configuration

Once flexVDI 3.1 is installed, you need to apply a basic configuration to your first host, and create a *flexVDI Manager* instance to get all your physical resources under control. This operation is done with *flexVDI Config*, a text based tool which allows you to easily accomplish these tasks. You can launch it with the following command:

```
# flexvdi-config
```

Before you begin: Open network ports

The flexVDI Software Suite consists of several distributed components that communicate through TCP/IP connections. This means you need to make sure your firewall rules allow this communication. However, CentOS 7 and RHEL 7, since release 7.4, come with firewall rules that disallow incoming connections to most TCP ports by default, governed by the *firewalld* system service. The *flexVDI Config* tool cannot reliably check that the required network ports are open in any of the multiple configurations allowed by *firewalld*, so you have to check it by yourself. A common alternative is to completely disable the *firewalld* service and rely on network-wide filtering. The network ports used by different components of the flexVDI Software Suits are the following:

- TCP 22: SSH is used to migrate virtual machines.
- TCP 443: the *flexVDI Gateway* installed in each host uses this port to accept connections from clients. This port is configurable in `/etc/flexvdi/flexvdi-gateway.conf`.
- TCP 7777: the OCFS2 tools and daemons use this port to communicate. Other hosts of the platform need to reach this port.
- TCP 9443: the *flexVDI Agent* uses this port to receive requests from the *flexVDI Manager*.
- TCP 5900 and up (5900 to 15900 by default): Ports used for Spice connections. The *flexVDI Gateway* connects to this port.

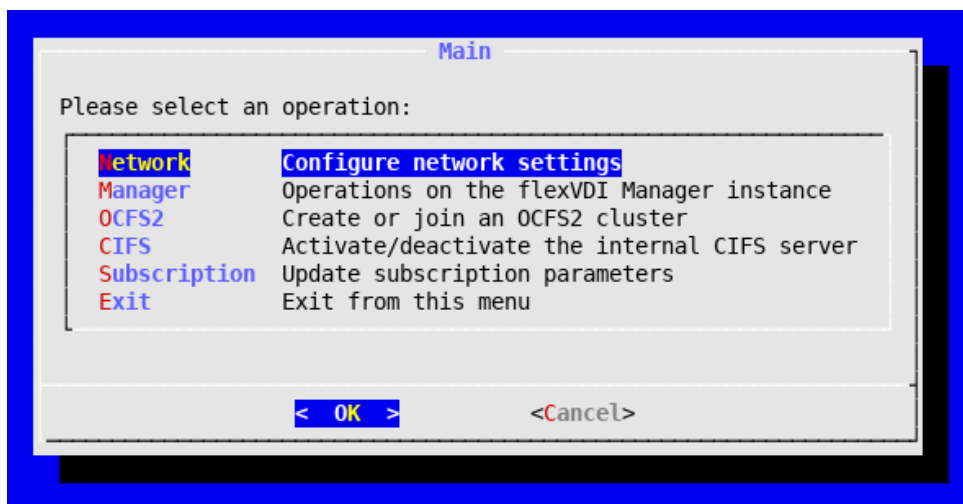
Of this list, only port TCP 443 must be reachable by *flexVDI Clients*. Ports 5900 and up have to be reachable by *flexVDI Gateway* to connect to the virtual desktops. The rest can be made reachable only by other hosts of the platform and the *Manager* instance.

An easy firewall rule would be to add all your service subnet (or just the hosts, *Manager* and *Webportal* instances) to the trusted zone. Assuming your services subnet is 10.0.1.0/24:

```
# firewall-cmd --zone trusted --add-source 10.0.1.0/24
# firewall-cmd --runtime-to-permanent
```

Main menu

flexVDI Config main menu shows the following options:



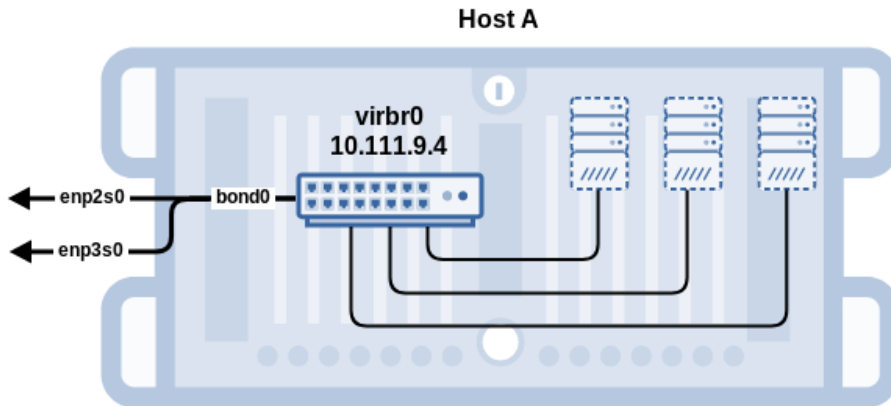
1. **Network:** TCP/IP configuration, creation of virtual bridges, vLANs and bonding interfaces.
2. **Manager:** Installation and configuration of *flexVDI Manager*.
3. **OCFS2:** Configuration of OCFS2 storage clusters.
4. **CIFS:** Configuration of a CIFS server on this host to be used as a *Media Storage*.
5. **Subscription:** register the host in *flexVDI Customer Portal* to enable downloading software updates and *flexVDI Manager* instance images.

Network configuration

The first submenu of the *flexVDI Config* tool will help you configure the network settings. Note that **it does not do anything that could not be done with the regular Red Hat Linux tools**. It just helps you configure the network in the way *flexVDI* expects it so that virtual machines can be connected among them and with other computers. *flexVDI Config* will write these settings to the *ifcfg-xxx* scripts in */etc/sysconfig/network-scripts* so that they are applied on every boot.

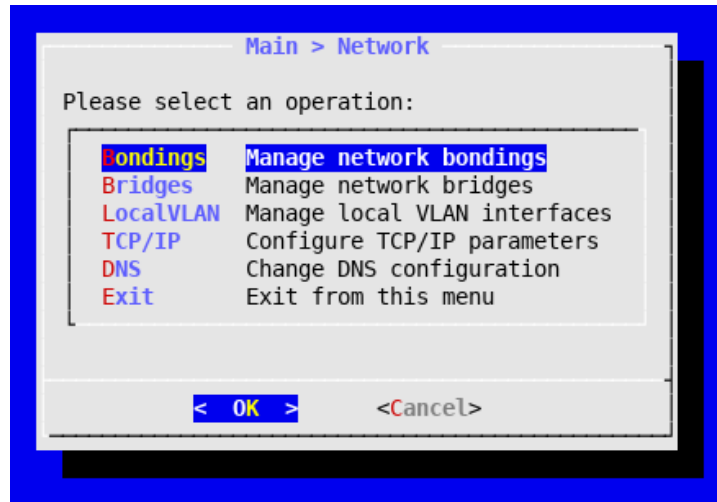
flexVDI organizes guests in subnets with the help of **virtual bridges**. A virtual bridge communicates virtual machines among them, as if they were in the same network segment. Also, they can communicate with the outside if one of the host's physical interfaces (or a bonding interface) is also attached to that virtual bridge. On top of that first layer, virtual bridges manage tagged traffic so that guests can be further grouped into VLANs, and communicate with VLANs outside the host. Each guest can be configured to either receive a) untagged traffic only, b) traffic from one VLAN as untagged traffic ("access" mode) or c) tagged traffic from one or more VLANs ("trunk" mode). You can learn more about configuring guest network interfaces [later](#).

With the *flexVDI Config* tool, you can manage virtual bridges, setup bonds and local VLAN interfaces, and configure the TCP/IP information of them all. In this first basic configuration we are going to create a single virtual bridge (**vibr0**) with two physical interface attached to it (**enp2s0** and **enp3s0**) through a bonding interface (**bond0**), and configure an IP address:



Physical interface bonding

When you select Network in the main menu, you will be presented with the following options:



The first option lets you set up bonds among several physical interfaces. This feature enables the use of multiple network cards as if there was just one. *flexVDI Config* allows you to configure two different bonding modes:

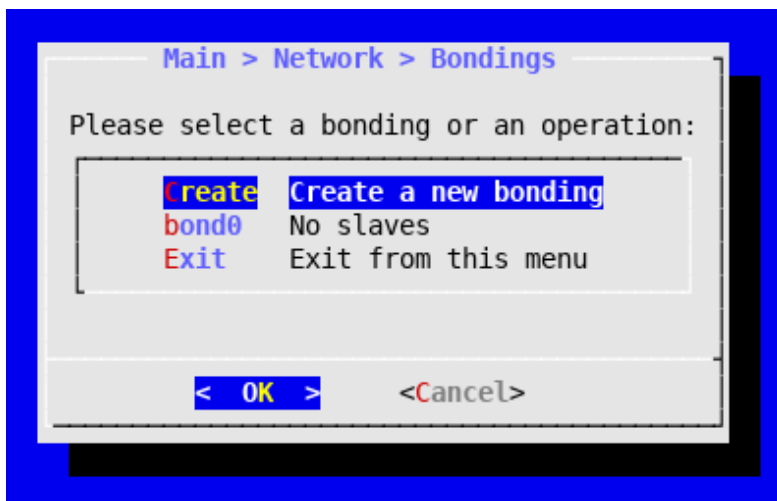
- **Active-backup:** Only one slave card is active. If the active card fails, another one becomes active and accepts network traffic. This option allows failure tolerance.
- **802.3ad:** This option allows interface aggregation in order to increase the bandwidth. All interfaces must be configured with the same speed and bandwidth, and the network equipment (switches...) must support 802.3ad, also known as port Trunking or LACP (in Cisco).

Create a bonding interface only if you have more than one physical interfaces that want to cooperate in one of these two ways. To create a bonding with two network interfaces, follow these steps in *flexVDI Config*:

1. Choose **Network** in the main menu.

2. Choose **Bondings**.
3. Choose **Create**.
4. Choose the *bonding* mode that you wish to configure, Active-backup or 802.3ad.

A new network interface named *bondN* will be created, where *N* is the bonding number starting at 0.



Now you have to attach slave devices to this interface:

1. Select *bond0* in the **Bondings** menu.
2. Use option **Attach** to add physical interfaces to the bonding. In our example, you would add **enp2s0** and **enp3s0**.

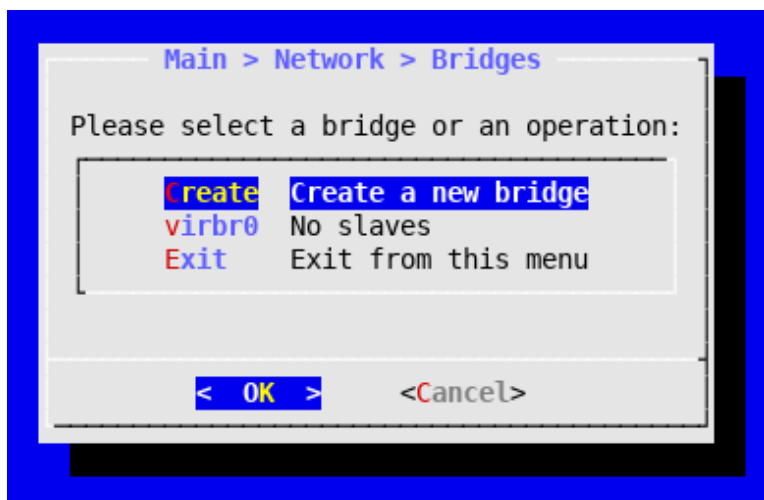
From this menu, you can also remove physical interfaces from the bonding with the **Detach** option, or delete it completely with the **Delete** option.

Virtual machine bridging

flexVDI attaches virtual machines to bridges so that they can communicate. Follow these steps in order to create a bridge:

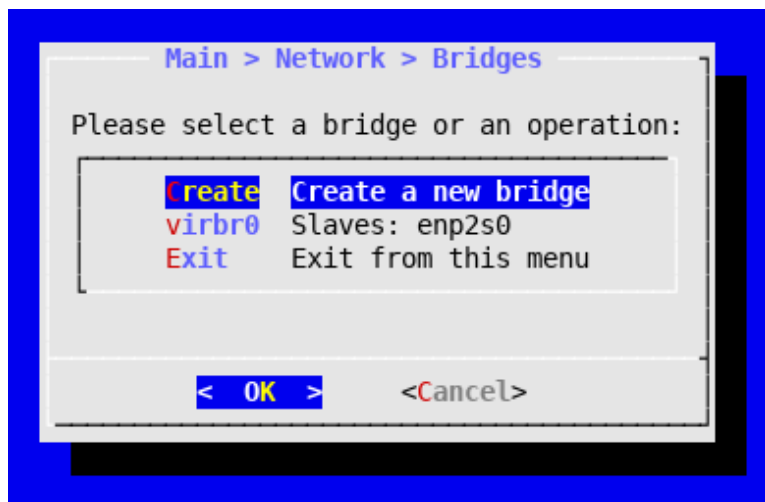
1. Select **Network** in the main menu.
2. Select **Bridges**.
3. Select **Create**.

You will be informed that a new network bridge named **virbr0** has been created. Upon returning to the screen of network bridges, you will see you have a new bridge with that name, without any assigned slave. An isolated network bridge like that can be useful to define a subnet of virtual machines without direct access to the outside.



In order to attach a physical interface to the virtual bridge, just follow these steps:

1. Select **virbr0**.
2. Select **Attach**. A list of free network interfaces in that Host will be displayed. Select the one you want to use in order to provide network access to virtual machines (see [how network interfaces are named](#)). In our example you would use **bond0**, but in a simpler scenario you could just select a physical interface like **enp2s0**:

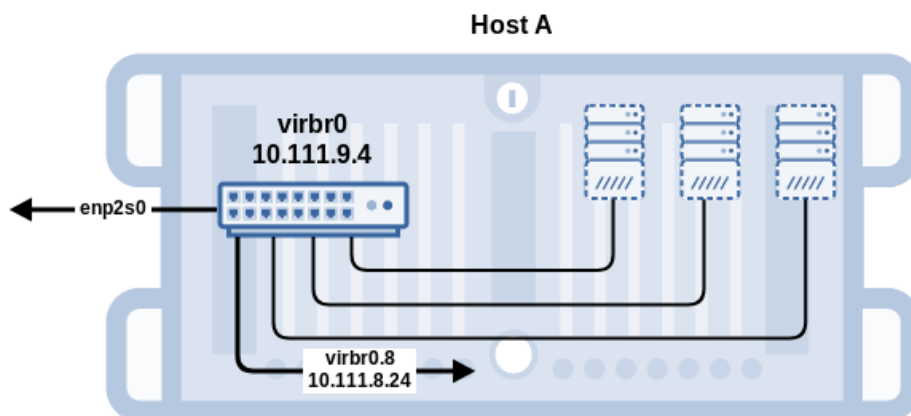


Like with bondings, you can also remove the network interface from the bridge with the **Detach** option, or delete it completely with the **Delete** option. *flexV/ DI Config* will not let you attach more than one interface to a bridge, to avoid the potential creation of a network loop. If you want to use more than one physical network interface with a bridge, aggregate them first with a bond interface.

Finally, you can set to which VLAN in your external network is associated the untagged traffic that arrives on the bridge's physical interface. The recommended practice is to associate this traffic to VLAN 1, but if you have associated it to another VLAN, use the **Set default PVID** option to set the correct VLAN identifier. Otherwise, you may experience traffic loss due to this confusion.

Local VLAN management

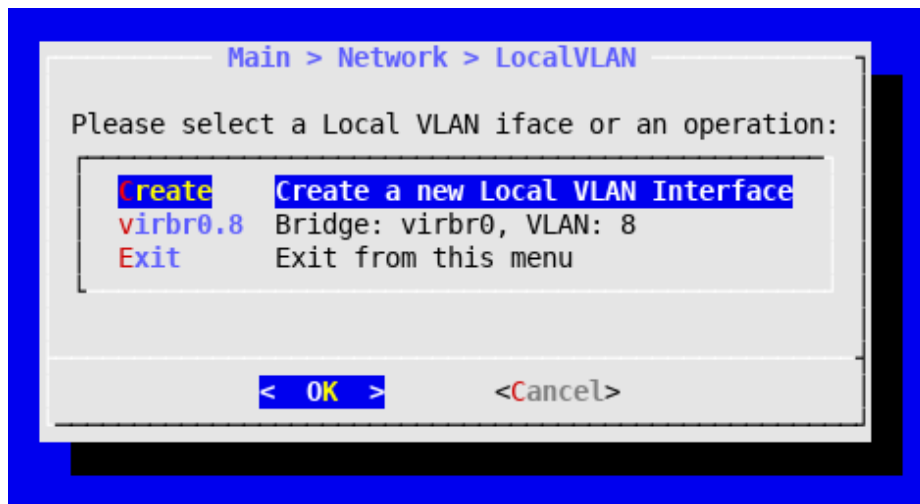
The LocalVLAN option lets you define interfaces that enable the host access a particular VLAN on a virtual bridge. This step only provides VLAN access to the host, and does not provide VLAN access to the flexVDI Manager or other virtual machines, which will have to be configured separately. More on how to configure VLAN access for virtual machines in the [First Steps with the Dashboard guide](#). Here, we are going to show how to provide the host with access to VLAN 8:



To create a local VLAN interface on **virbr0**, follow these steps:

1. Select **Network** in the main menu.
2. Select **LocalVLAN**.
3. Select **Create**.
4. Select **virbr0**.
5. Enter the ID of the VLAN. In our example, 8.

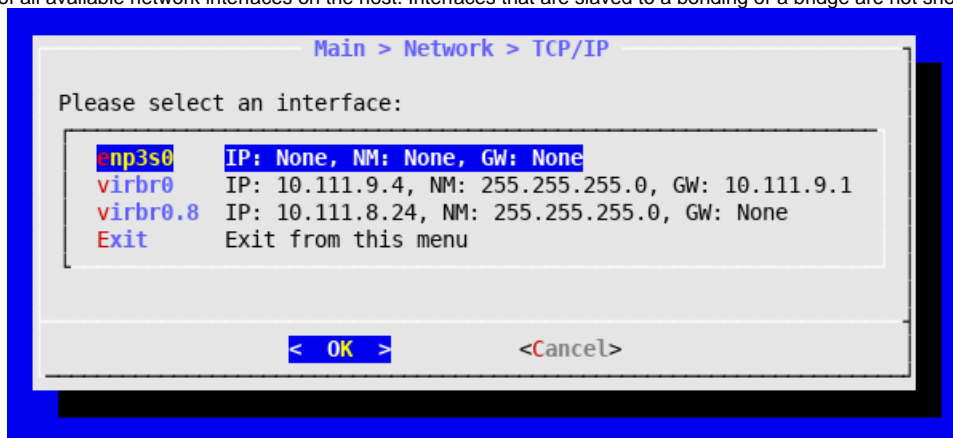
A new network interface is created with the name **virbr0.id**, where id is the VLAN identifier; in our example, virbr0.8. Thus, through this interface the host is now able to access the VLAN on that virtual bridge:



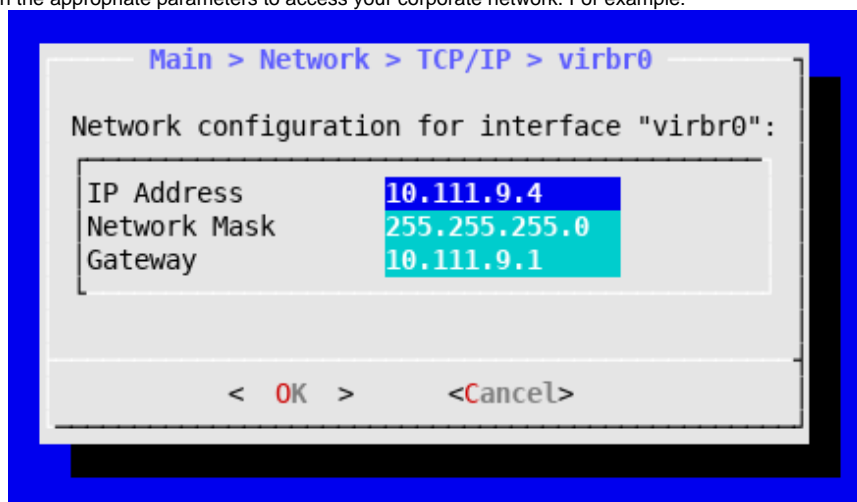
TCP/IP Configuration

The TCP/IP submenu lets you define the IP network parameters associated with each interface. We will configure the network bridge **virbr0** so that the host can access the Internet through it. This will allow us to update the host and download the flexVDI Manager image later. If you created a local VLAN interface in the previous step, configure that interface instead.

1. Select Network in the main menu.
2. Select TCP/IP.
3. You will see a list of all available network interfaces on the host. Interfaces that are slaved to a bonding or a bridge are not shown here:

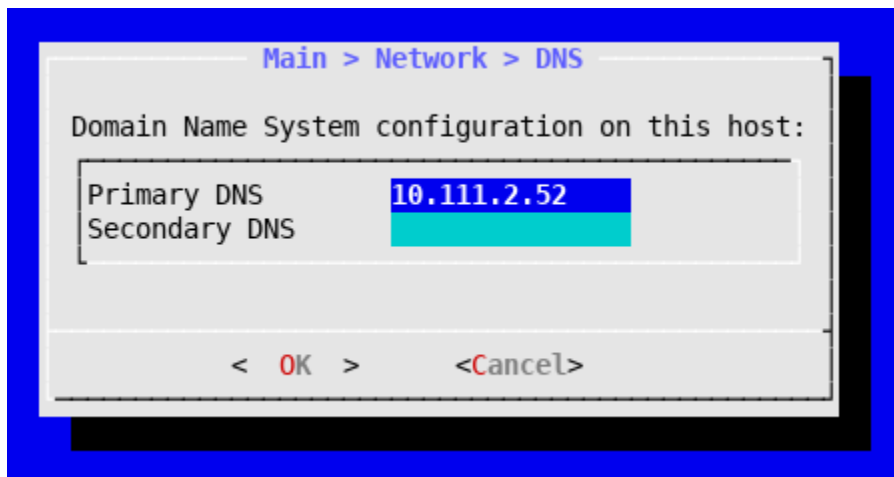


4. Select **virbr0** and assign the appropriate parameters to access your corporate network. For example:



DNS Configuration

Finally, the DNS option of the Network menu allows you to configure DNS servers for host name resolution. Simply enter the **DNS** option, and configure the address of the name servers you want to use.



Applying network configuration changes

Once you have finished the previous steps, the network settings of your first *flexVDI Host* have been defined. To apply this configuration, you must leave the **Network** menu. Then *flexVDI Config* will notify you that the network settings have changed and it is required to restart the network service for the changes to take effect. Confirm that you want to perform the operation.